



- Perfect mineralisation for your water
- Free from particles, unpleasant tastes and odours
- Filter capacity: 10,000 litres
- Flexible: suitable for use with the BWT water+more standard filter head

## Water optimisation for low-salt water

### bestmin filter cartridges

Optimising the mineral content of the water is vitally important for any hot or cold drink. Often if the water tastes “flat”, it is lacking in essential minerals. Even if large quantities of coffee are added, the drink can have a stale or even sour taste. The coffee grounds may also swell excessively, which can have a negative impact on the brewing process in the coffee machine. bestmin filter cartridges and high-end BWT technology can restore the mineral balance in the water. The filter medium, an ingenious combination of natural minerals and innovative activated carbon fleece, adds minerals to the water that are essential for achieving the perfect taste and, at the same time, eliminates any particles, unpleasant tastes or odours. Regardless of whether your water originates from a mountain lake low in minerals, a reservoir or a reverse-osmosis system, you can always enjoy top quality water thanks to the unique bestmin filter cartridge water optimisation system.

### bestmin filter cartridges – optimal taste

- For perfectly mineralised water
- For hot and cold drinks

### Top technology

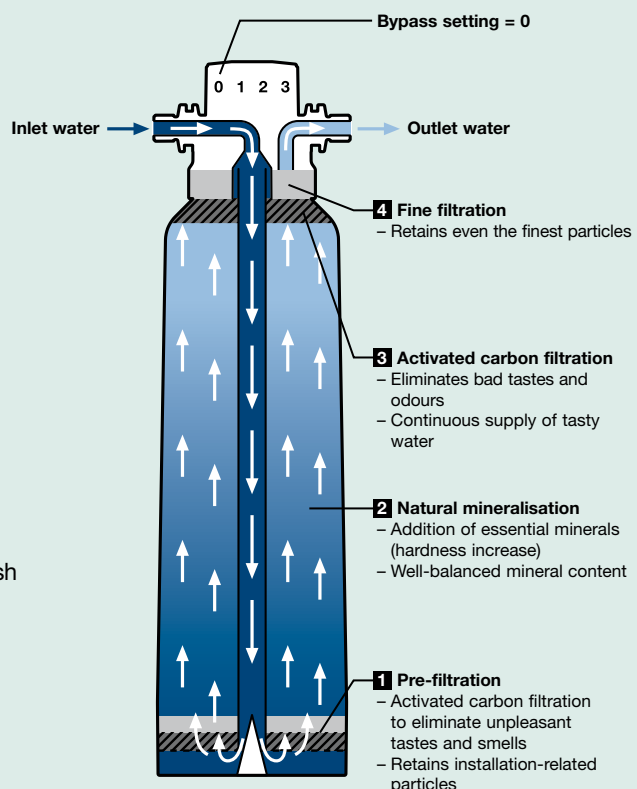
- Exceptional BWT water+more filter medium for optimal mineralisation
- Innovative activated carbon fleece for the best possible taste
- Simple one-way system
- Can be installed horizontally and vertically

### Delivery Scope (First Installation Set)

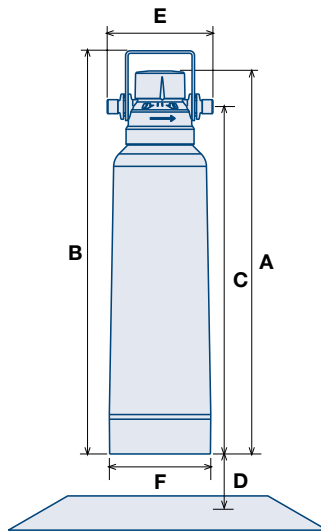
- Filter Cartridge M
- Universal filter head with 3/8" external thread (incl. bypass setting and return valve)
- Wall mounting (without fixing material)
- Installation and Operating Instructions

### Accessories

- Connecting hose 1500 mm (3/8" x 3/8" or 3/8" x 3/4")
- bestflush plus water meter with integral 3/8" AG x 3/8" flush valve with nut, external display for fixing on the wall  
**Order No.: FS00Y10A00**
- bestflush 3/8" AG x 3/8" flush valve with nut, with flush and isolating function  
**Order No.: FS00Y04A00**
- Hot drinks test kit to determine the carbonate hardness and total hardness of drinking water  
**Order No.: YS00Y01A00**



Structure of a bestmin filter cartridge



#### Technical Data\*

bestmax type	M
Connection thread (in/out)	3/8"
Typical capacity in litres	10,000
Intake pressure, min.–max. in bar	2–8
Water temperature, min.–max. in °C	4–30
Ambient temperature, min.–max. in °C	4–40
Total height without bracket (A) in mm, approx.	475
Total height with bracket (B) in mm, approx.	500
Connection height (C) in mm	425
Distance from floor (D) in mm	65
Installed length (E) in mm	125
Filter cartridges Ø (F) in mm	130
Weight in g without filter head	3,800
Order No. Installation Set	FS24M01A00
Order No. Filter Cartridge	FS24M00A00

\*Subject to change without notice



#### bestmin – part of an extensive product range

The BWT water+more solution can satisfy almost any water optimisation requirement in the catering sector. All products feature a tried and tested universal filter head that includes an automatic shut-off valve, return valve as standard and bypass setting directly on the filter head. Each filter cartridge is compact and space-saving and can be replaced quickly and easily.

## The world's most innovative product range!

- bestmax** – economical protection against scale, ensuring the best possible taste
- bestmax PREMIUM** – innovative protection against scale with the unique AromaPLUS formula
- besttaste** – clear, particle-free water with activated carbon filtration
- bestmin** – perfect mineralisation for your water
- bestprotect** – optimal protection against scale and corrosion
- bestdemin** – optimal demineralisation for virtually salt-free water
- besteam EXTRA** – perfect pure steam even with high salt content



#### Water optimisation from BWT water+more for:

- Coffee machines
- Vending machines
- Ovens/Combi steamers
- Ice-cube machines
- Dishwashers

Why not ask about a customised solution?



**water + more**

water+more by BWT GmbH

Spiegelgasse 13

D-65183 Wiesbaden

Telefon +49.611.58019-0

Telefax +49.611.58019-22

[www.water-and-more.com](http://www.water-and-more.com)