



- Optimal protection against corrosion
- Prevents scale and gypsum deposits
- Maintains a constantly high pH value
- 100% compatible with BWT water+more filter heads

## Optimal protection against scale and corrosion

### bestprotect filter cartridges

As well as improving the quality of hot and cold drinks, water optimisation also offers vital protection to your valuable machine technology. For example, natural water with a high salt content may cause corrosion problems or lead to scale and gypsum deposits (calcium sulphate). bestprotect filter cartridges feature an exceptional filter medium and high-end BWT technology to provide your machine technology with the best possible protection: The cartridges are extremely effective in preventing scale and gypsum deposits, maintaining a constant pH value and preventing corrosion problems even with high salt content.

### bestprotect filter cartridges

- Optimal protection against corrosion for machine technology
- Prevents scale and gypsum deposits
- For all hot and cold drinks

### Top technology

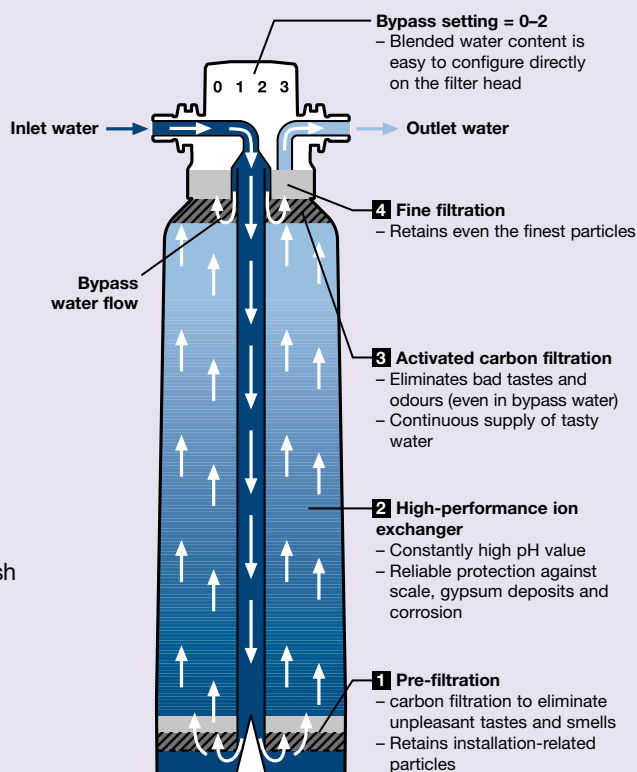
- Exceptional filter medium for prevention of corrosion and deposits
- Simple one-way system
- Can be installed horizontally and vertically

### Delivery Scope (First Installation Set)

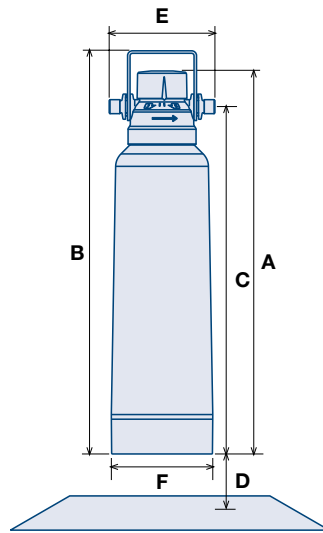
- Filter Cartridge XL
- Universal filter head with  $\frac{3}{8}$ " external thread (incl. bypass setting and return valve)
- Wall mounting (without fixing material)
- Installation and Operating Instructions

### Accessories

- Connecting hose 1500 mm ( $\frac{3}{8}$ " x  $\frac{3}{8}$ " or  $\frac{3}{8}$ " x  $\frac{3}{4}$ " )
- bestflush plus water meter with integral  $\frac{3}{8}$ " AG x  $\frac{3}{8}$ " flush valve with nut, external display for fixing on the wall  
**Order No.: FS00Y10A00**
- bestflush  $\frac{3}{8}$ " AG x  $\frac{3}{8}$ " flush valve with nut, with flush and isolating function  
**Order No.: FS00Y04A00**
- Hot drinks test kit to determine the carbonate hardness and total hardness of drinking water  
**Order No.: YS00Y01A00**



Structure of a bestprotect filter cartridge



#### Technical Data\*

bestprotect type	XL
Connection thread (in/out)	3/8"
Typical capacity in litres	3,590
Intake pressure, min.–max. in bar	2–8
Water temperature, min.–max. in °C	4–40
Ambient temperature, min.–max. in °C	4–60
Total height without bracket (A) in mm, approx.	500
Total height with bracket (B) in mm, approx.	530
Connection height (C) in mm	450
Distance from floor (D) in mm	65
Installed length (E) in mm	125
Filter cartridges Ø (F) in mm	145
Weight in g without filter head	4,500
Order No. Installation Set	FS28N01A00
Order No. Filter Cartridge	FS28N00A00

\*Subject to change without notice



#### bestprotect – part of an extensive product range

The BWT water+more solution can satisfy almost any water optimisation requirement in the catering sector. All products feature a tried and tested universal filter head that includes an automatic shut-off valve, return valve as standard and bypass setting directly on the filter head. Each filter cartridge is compact and space-saving and can be replaced quickly and easily.

#### The world's most innovative product range!

**bestmax** – economical protection against scale, ensuring the best possible taste

**bestmax PREMIUM** – innovative protection against scale with the unique AromaPlus formula

**besttaste** – clear, particle-free water with activated carbon filtration

**bestmin** – perfect mineralisation for your water

**bestprotect** – optimal protection against scale and corrosion

**bestdemin** – demineralisation for virtually salt-free water

**besteam EXTRA** – perfect pure steam even with high salt content

#### Settings and Capacities for Hot Drinks Machines

Total hardness in °d	Bypass setting	Filter capacity in litres
< 7	2	5127
8	2	4486
9	2	3988
10	2	3590
11	1	2862
12	1	2623
13	1	2421
14	1	2249
15	1	2099
16	1	1967
17	1	1852
18	1	1749
19	1	1657
20	1	1574
21–23	0	1279
24–26	0	1132
>27	0	981



#### Water optimisation from BWT water+more for:

- Coffee machines
- Vending machines
- Ovens/Combi steamers
- Ice-cube machines
- Dishwashers

Why not ask about a customised solution?



**water + more**

water+more by BWT GmbH

Spiegelgasse 13

D-65183 Wiesbaden

Telefon +49.611.58019-0

Telefax +49.611.58019-22

[www.water-and-more.com](http://www.water-and-more.com)